



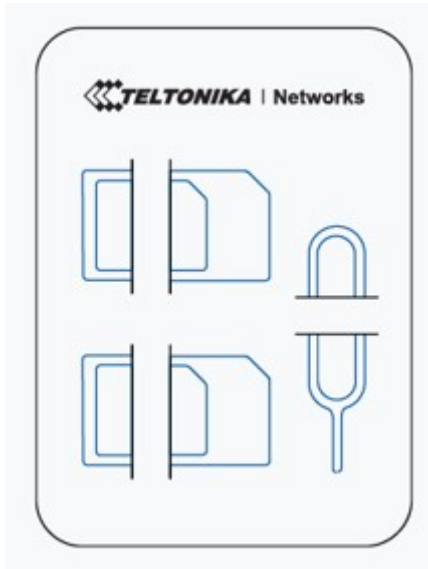
# TRB500

## QUICK GUIDE

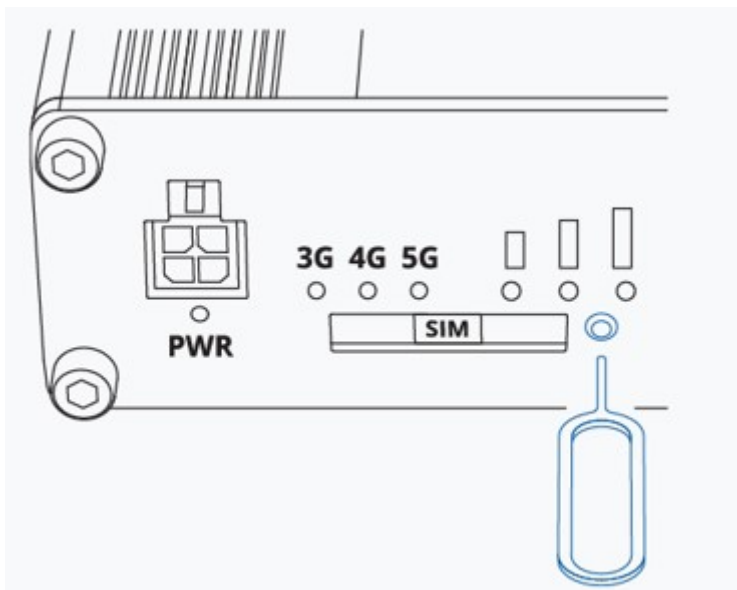
# TRB500

## Quick Guide

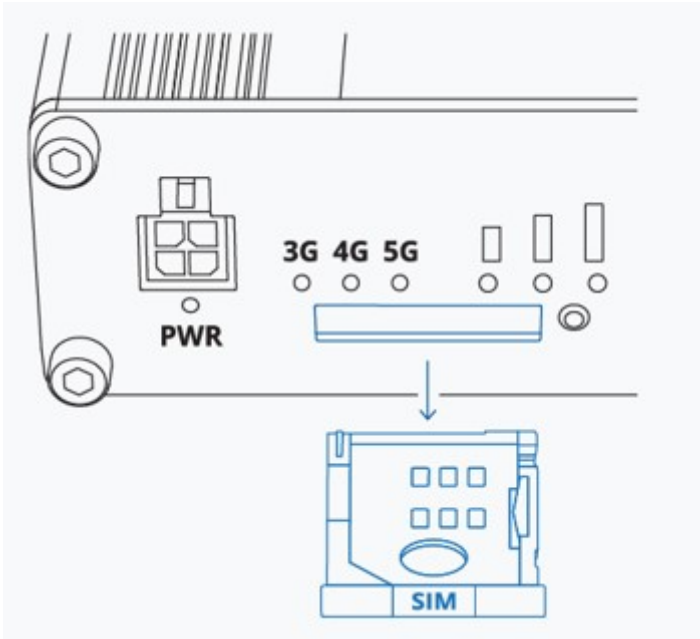
1. Locate the SIM adaptor kit.



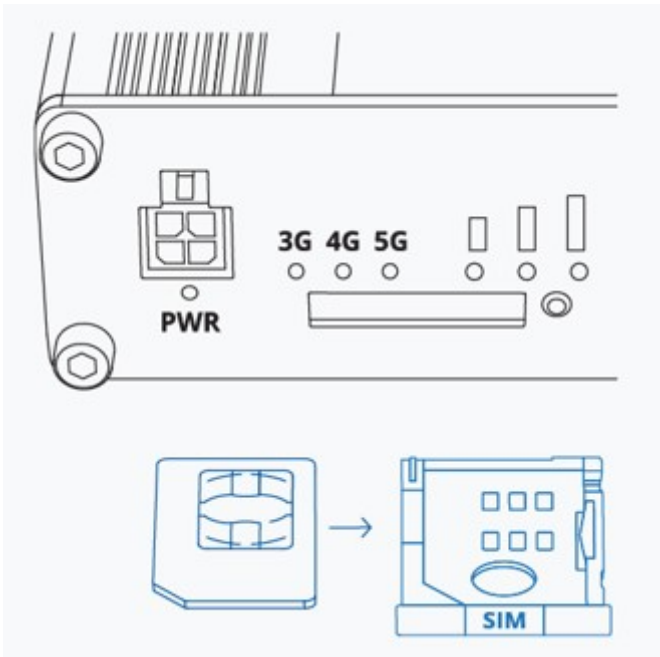
2. Push the SIM holder button with the SIM needle.



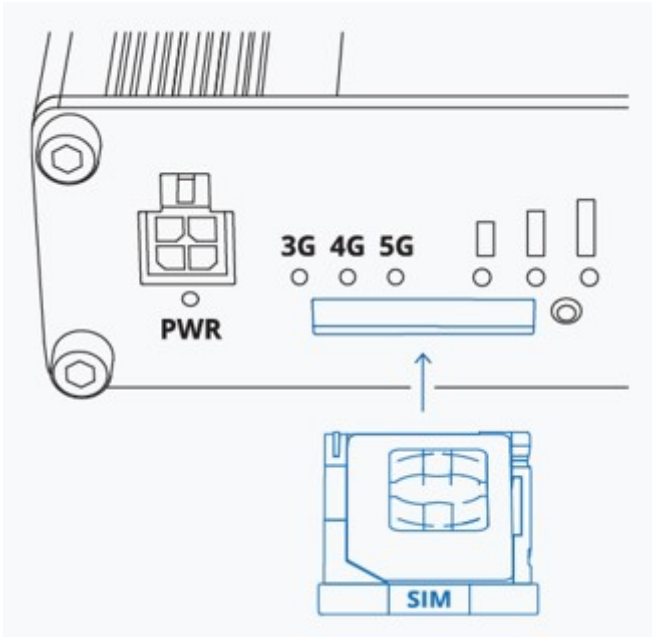
3. Pull out the SIM holder.



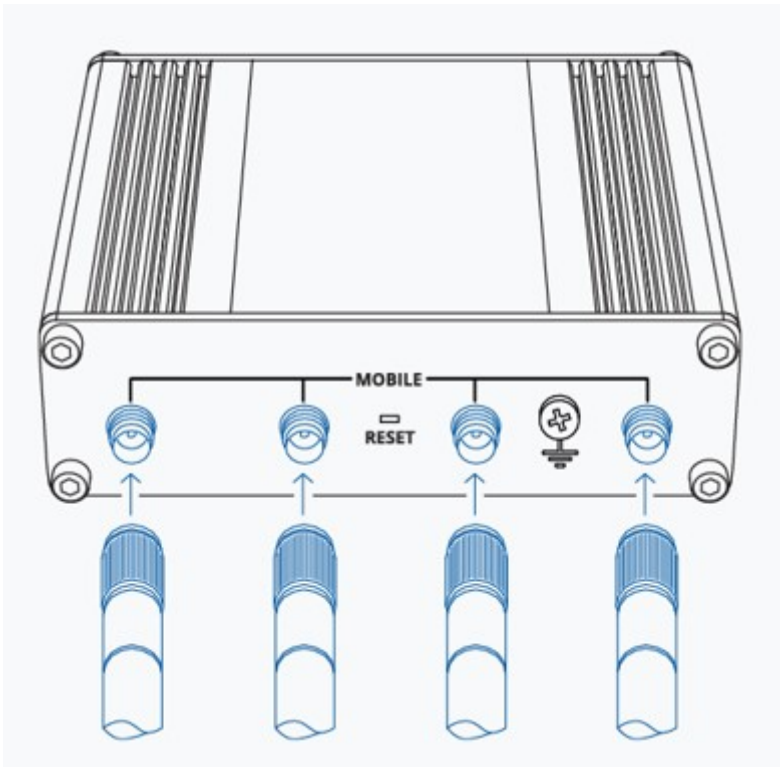
4. Insert your SIM card into the SIM holder.



5. Slide the SIM holder back into the router.



6. Attach all mobile antennas to connectors labelled "Mobile".



7. Connect the 4-pin connector to the power socket on the front of the device. Then plug the power adapter into an electric outlet.

