



RUT200

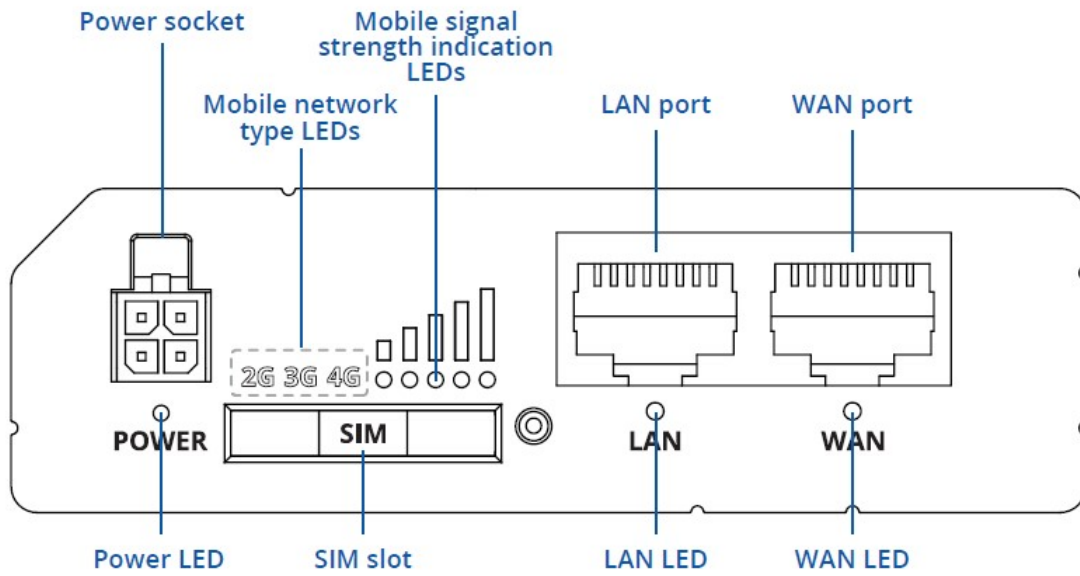
TECHNICAL SPECIFICATIONS

# RUT200

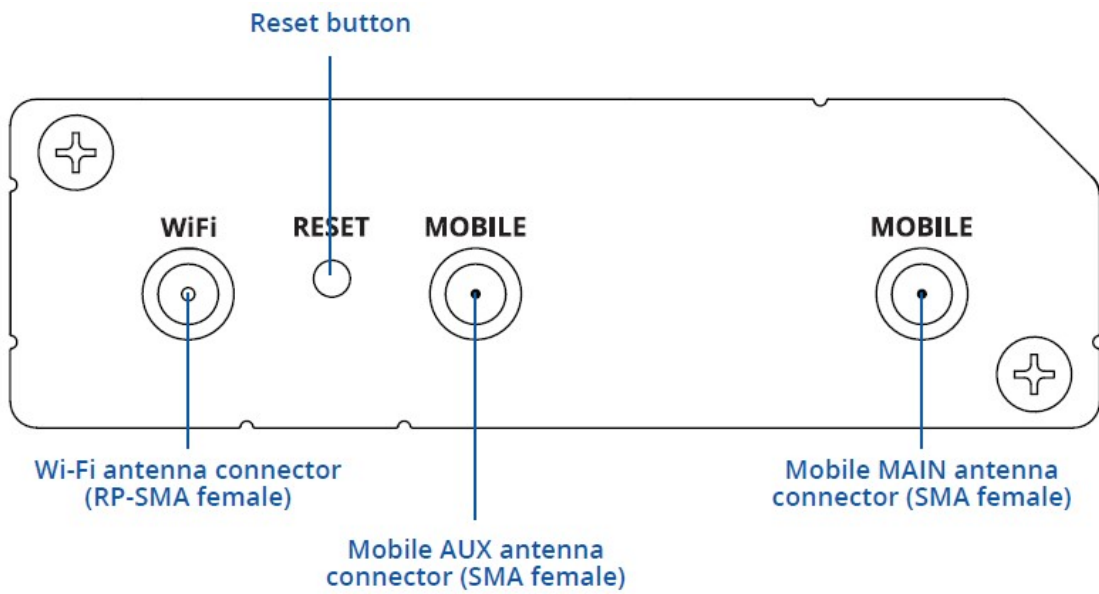
## Technical Specifications

Mobile module	4G (LTE) - Cat 4 up to 150 Mbps, 3G - Up to 42 Mbps, 2G - Up to 236.8 kbps
Wireless mode	IEEE 802.11b/g/n, Access Point (AP), Station (STA)
Power Connector	4-pin industrial DC power socket
Input voltage range	9 - 30 VDC, reverse polarity protection; surge protection >31 VDC 10us max
Ethernet	2 x RJ45 ports, 10/100 Mbps
I/O's	1 x Digital Input, 1 x Digital Output on 4-pin power connector
Status LEDs	3 x Connection type status LEDs, 5 x Connection strength LEDs, 2 x LAN status LEDs, 1 x Power LED
SIM	1 x SIM slot (Mini SIM - 2FF), 1.8 V/3 V, external SIM holder
Antennas	2 x SMA for LTE, 1 x RP-SMA for Wi-Fi antenna connectors
Dimensions (W x H x D)	83 x 25 x 74 mm
Weight	125g
Mounting options	Bottom and sideways DIN rail mounting slots
Operating temperature	-40 °C to 75 °C
Ingress Protection Rating	IP30
Standards	IEC 62368-1:2018 (CB Scheme)

## Front View



## Rear View



## Power Socket Pinout

