



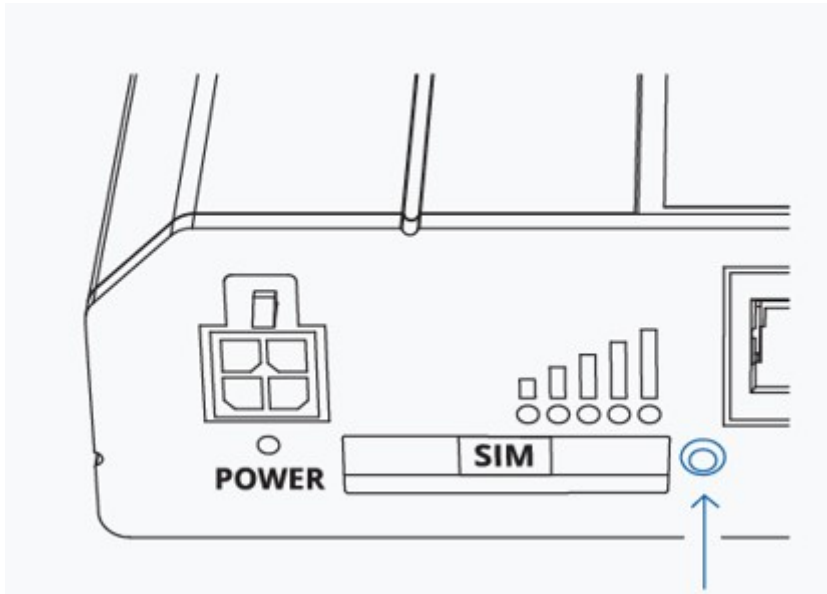
RUT200

QUICK GUIDE

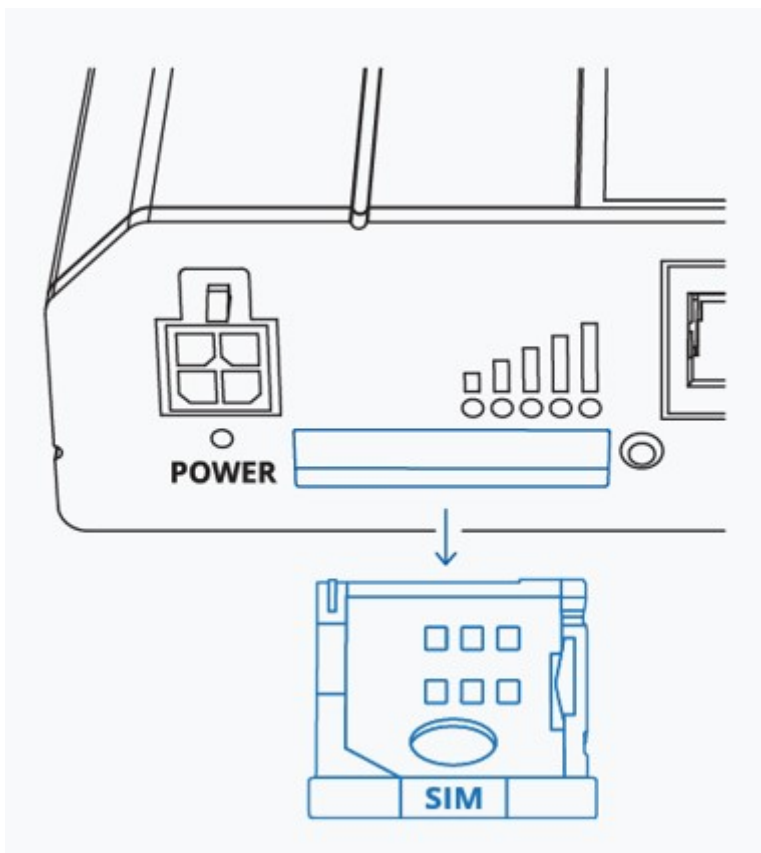
RUT200

Quick Guide

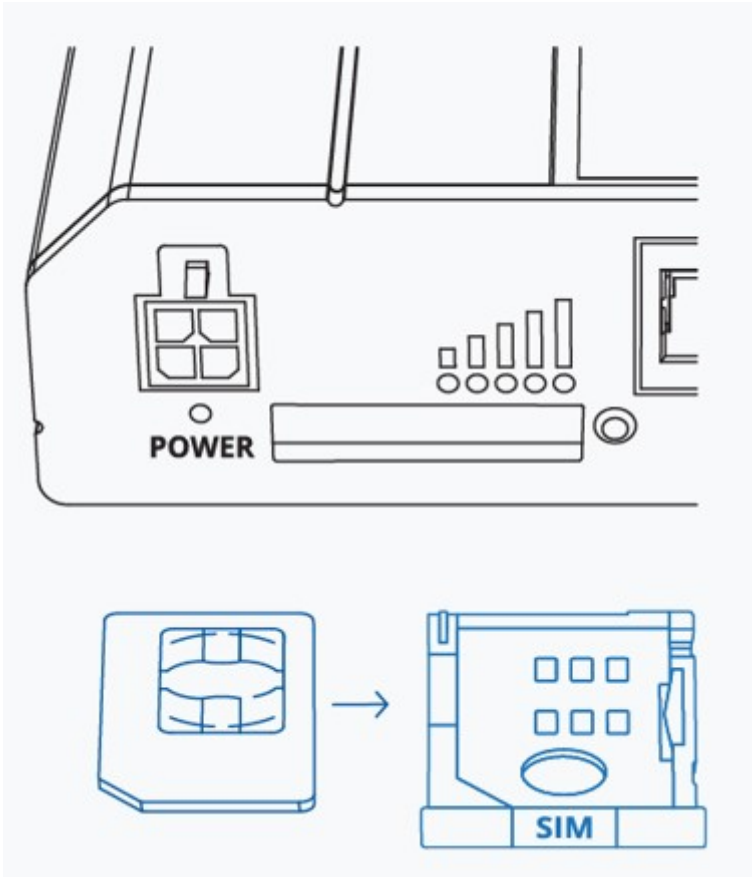
1. Push the SIM holder button.



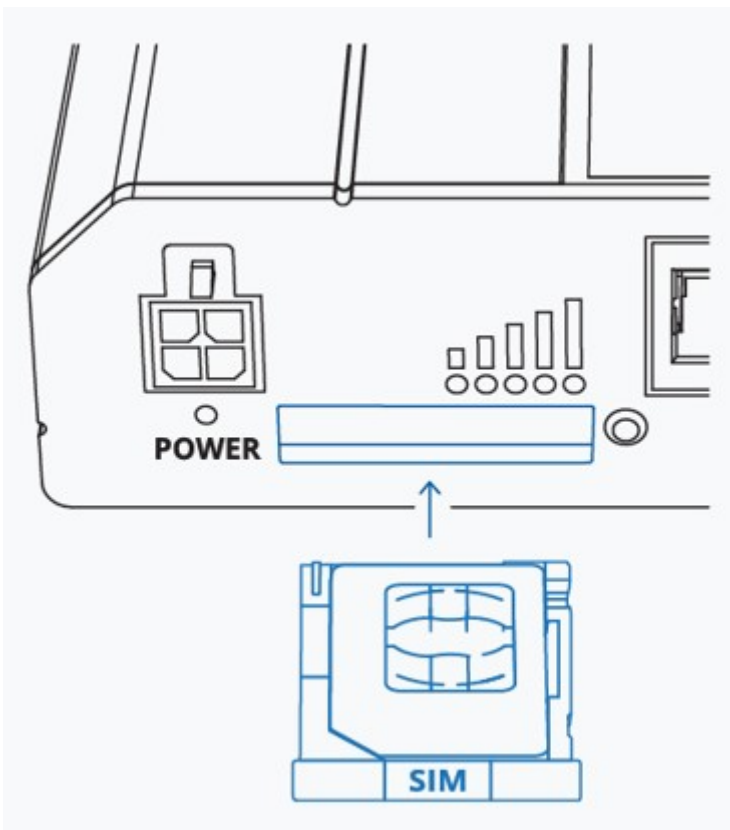
2. Pull out the SIM holder.



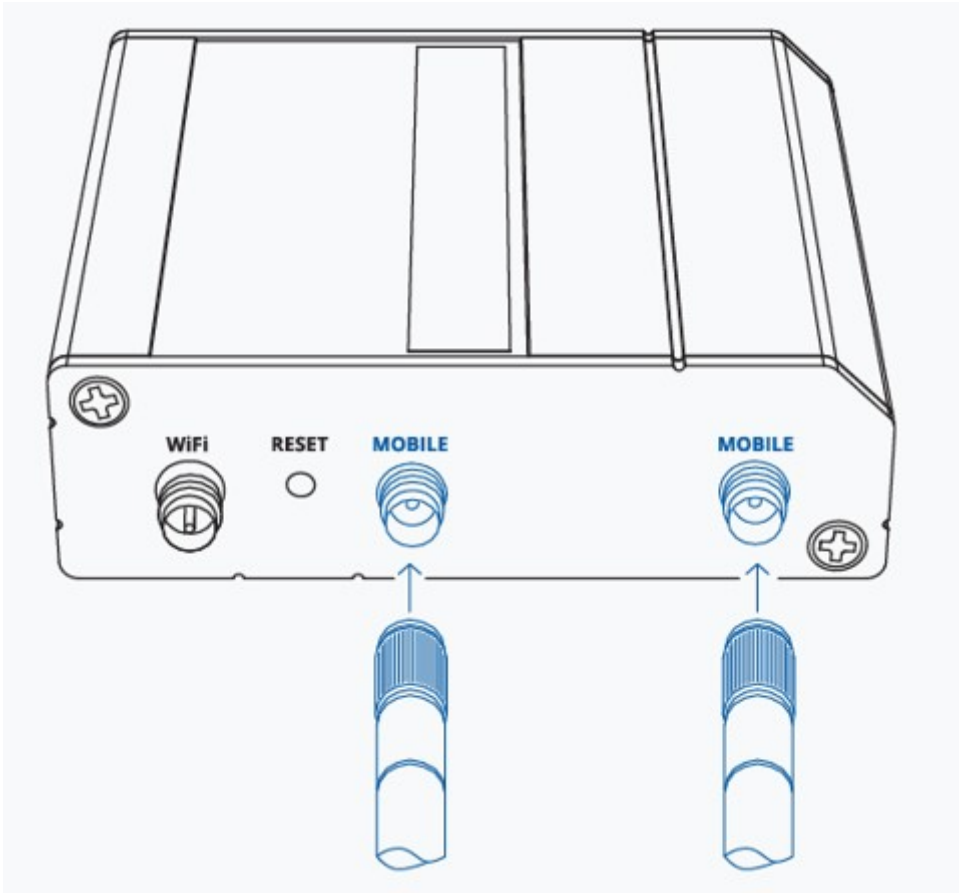
3. Insert your SIM card into the SIM holder.



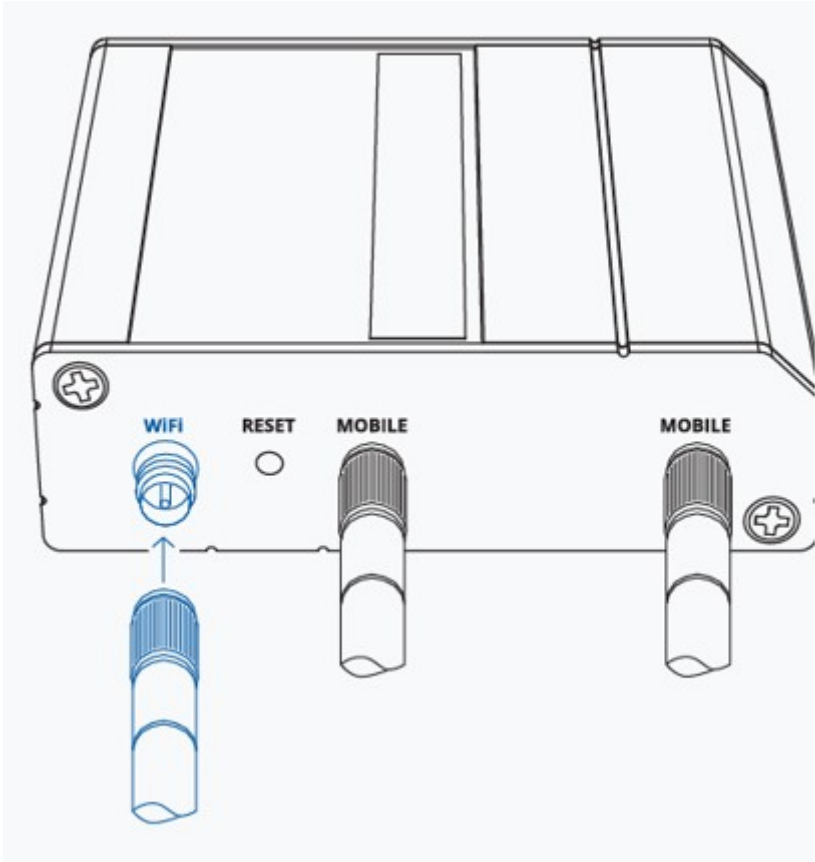
4. Slide the SIM holder back in to the router.



5. Attach both the MAIN and AUX mobile antenna connectors labelled "Mobile".



6. Attach Wifi antenna to the connector labelled "Wifi".



7. Connect the 4-pin connector to the power socket on the front of the device, then plug the power adaptor into an electricity outlet.

