



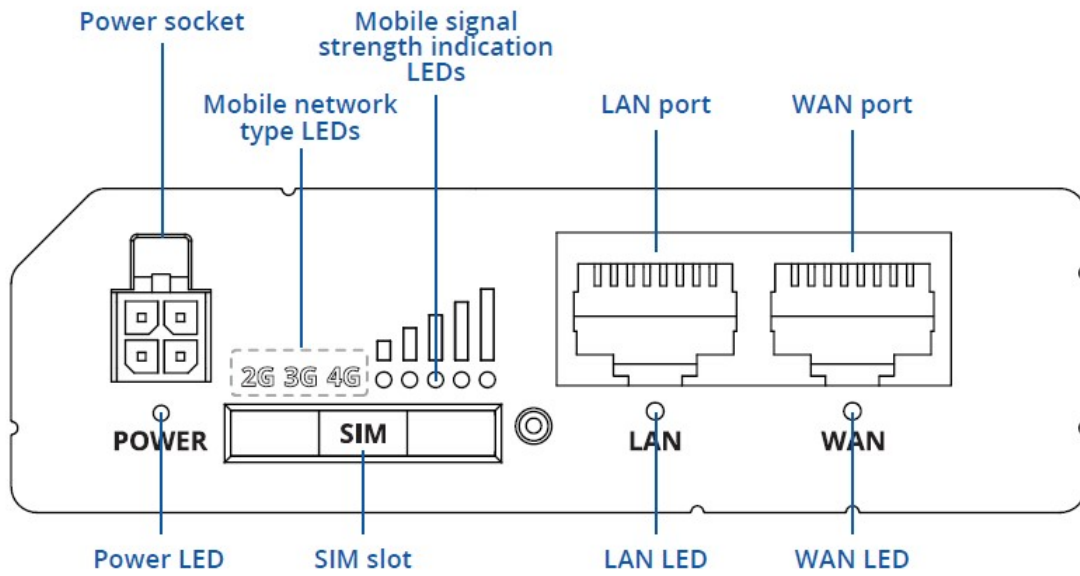
RUT200

# RUT200

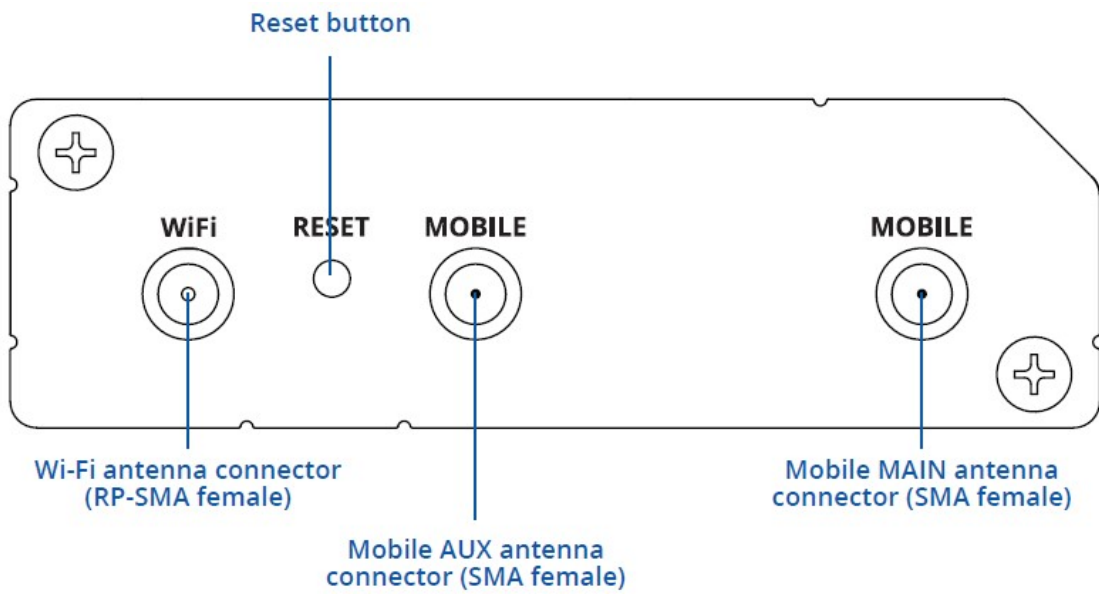
## Technical Specifications

Mobile module	4G (LTE) - Cat 4 up to 150 Mbps, 3G - Up to 42 Mbps, 2G - Up to 236.8 kbps
Wireless mode	IEEE 802.11b/g/n, Access Point (AP), Station (STA)
Power Connector	4-pin industrial DC power socket
Input voltage range	9 - 30 VDC, reverse polarity protection; surge protection >31 VDC 10us max
Ethernet	2 x RJ45 ports, 10/100 Mbps
I/O's	1 x Digital Input, 1 x Digital Output on 4-pin power connector
Status LEDs	3 x Connection type status LEDs, 5 x Connection strength LEDs, 2 x LAN status LEDs, 1 x Power LED
SIM	1 x SIM slot (Mini SIM - 2FF), 1.8 V/3 V, external SIM holder
Antennas	2 x SMA for LTE, 1 x RP-SMA for Wi-Fi antenna connectors
Dimensions (W x H x D)	83 x 25 x 74 mm
Weight	125g
Mounting options	Bottom and sideways DIN rail mounting slots
Operating temperature	-40 °C to 75 °C
Ingress Protection Rating	IP30
Standards	IEC 62368-1:2018 (CB Scheme)

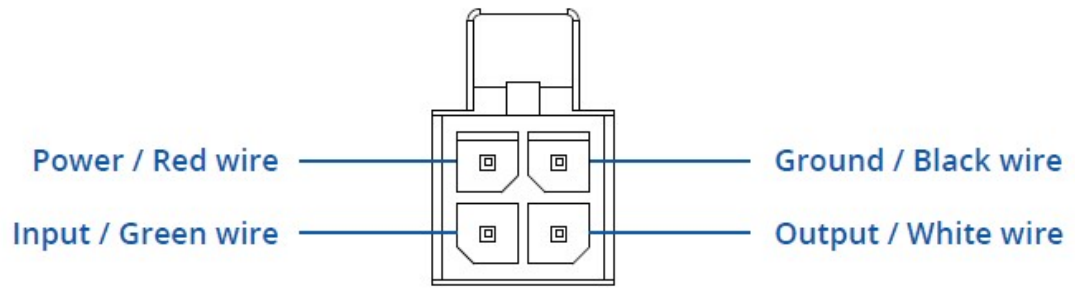
## Front View



## Rear View



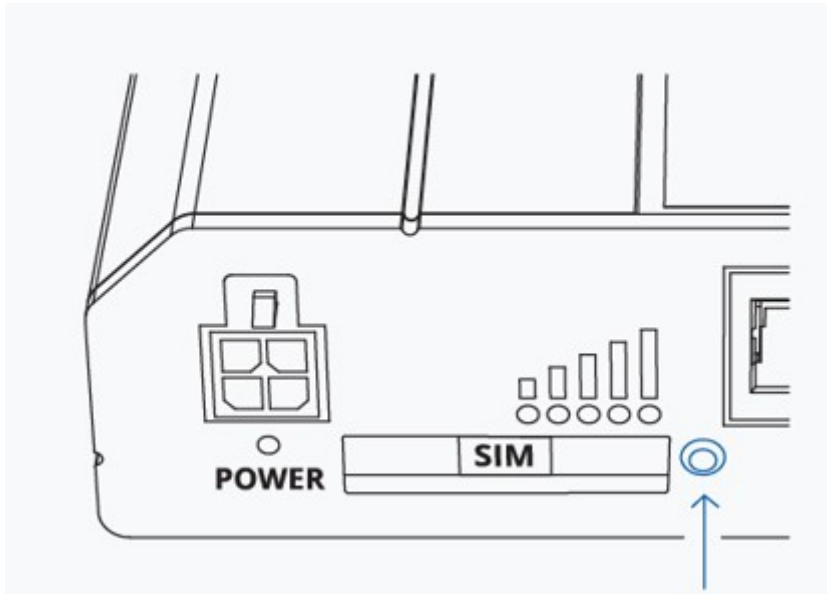
## Power Socket Pinout



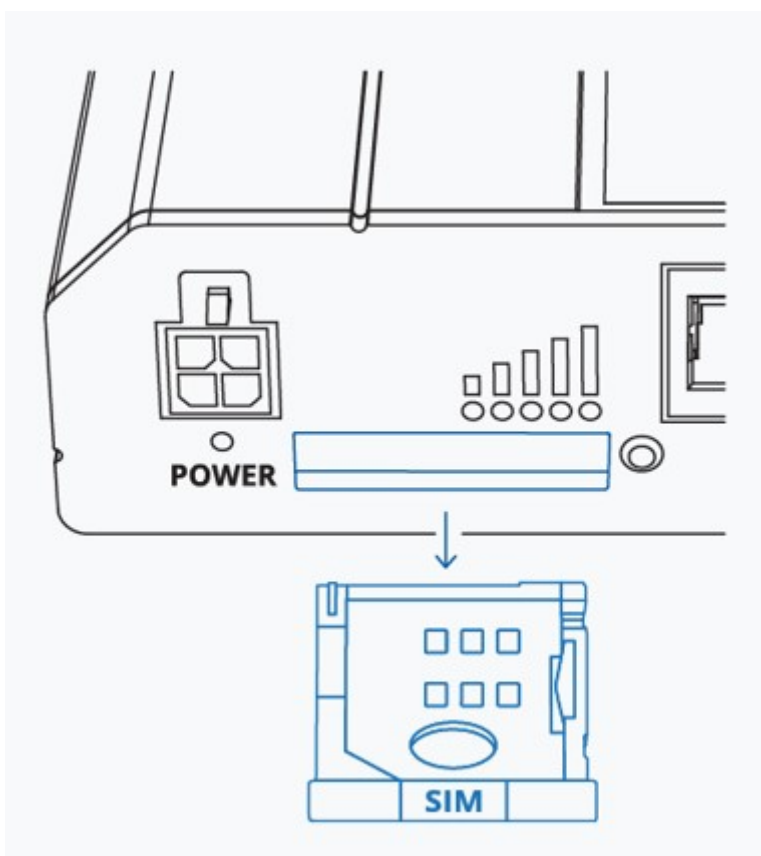
# RUT200

## Quick Guide

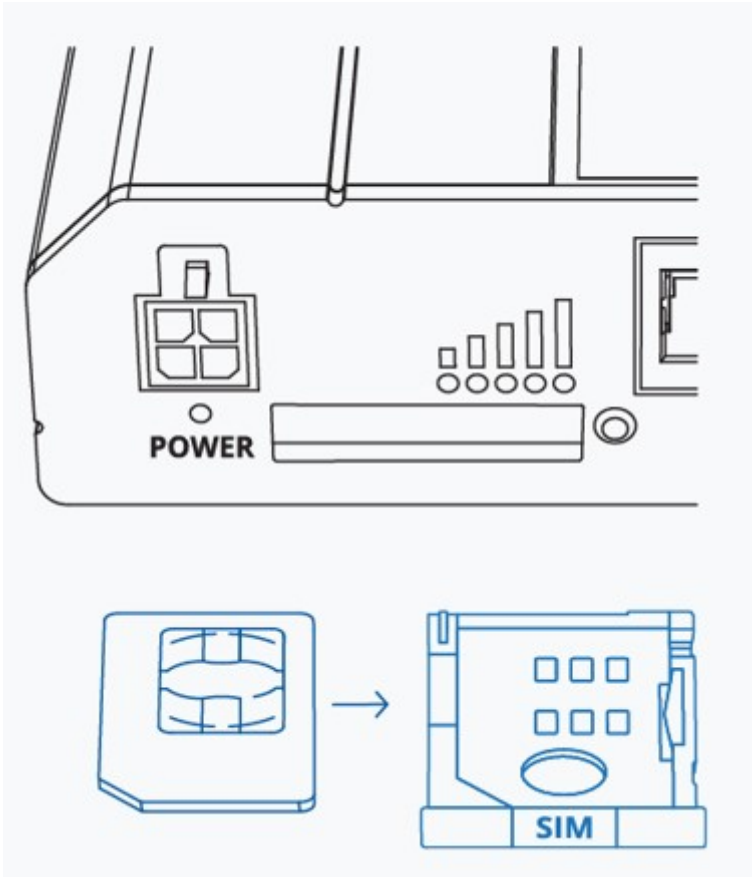
1. Push the SIM holder button.



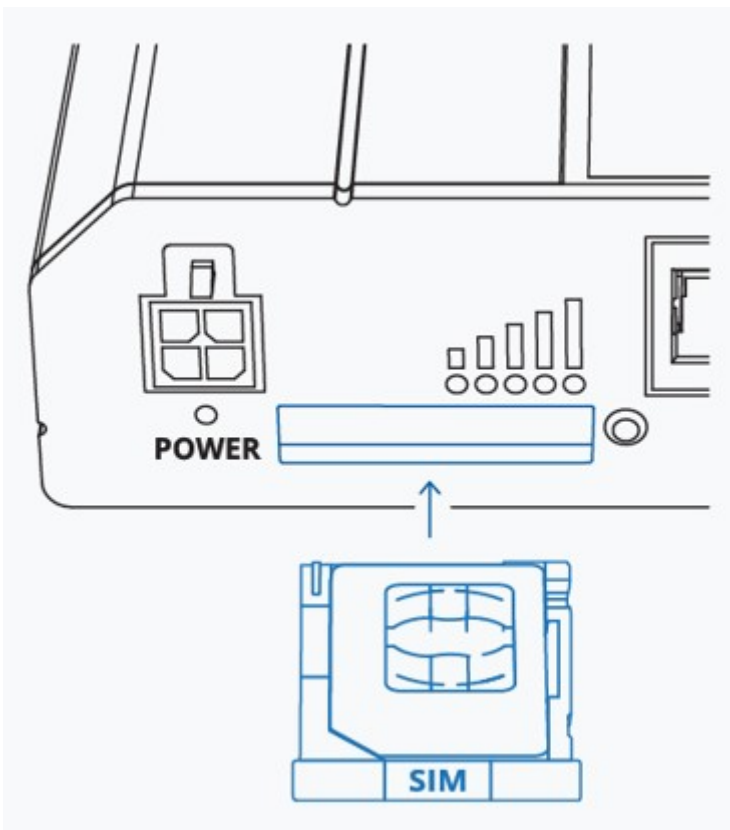
2. Pull out the SIM holder.



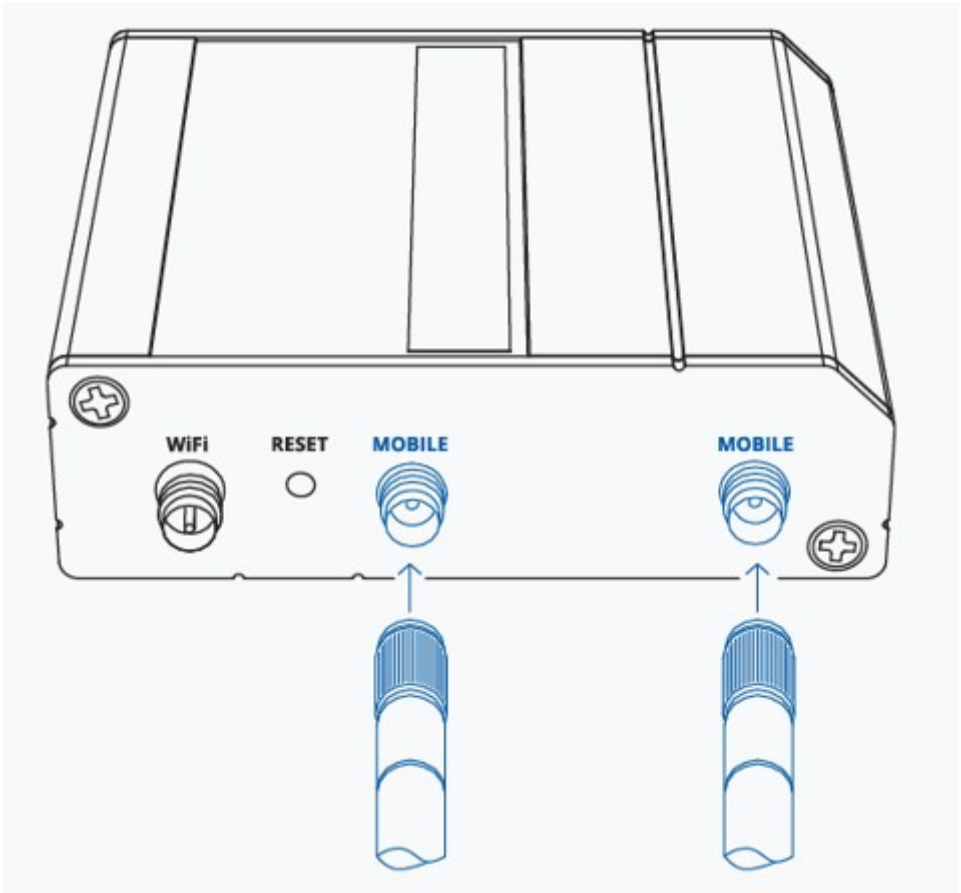
3. Insert your SIM card into the SIM holder.



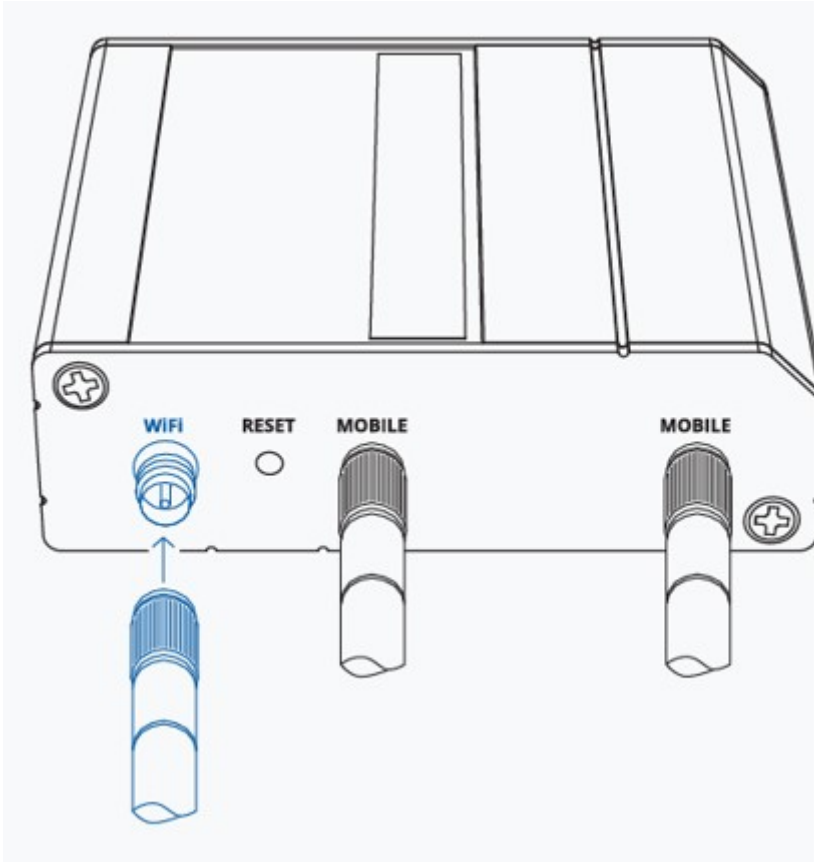
4. Slide the SIM holder back in to the router.



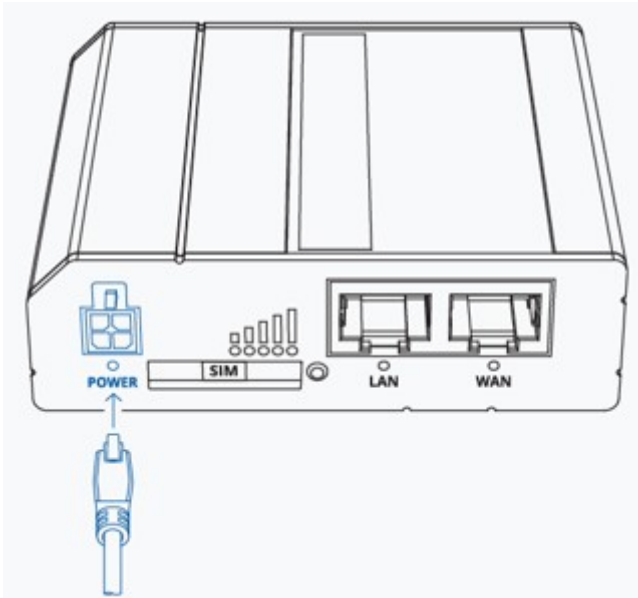
5. Attach both the MAIN and AUX mobile antenna connectors labelled "Mobile".



6. Attach Wifi antenna to the connector labelled "Wifi".



7. Connect the 4-pin connector to the power socket on the front of the device, then plug the power adaptor into an electricity outlet.

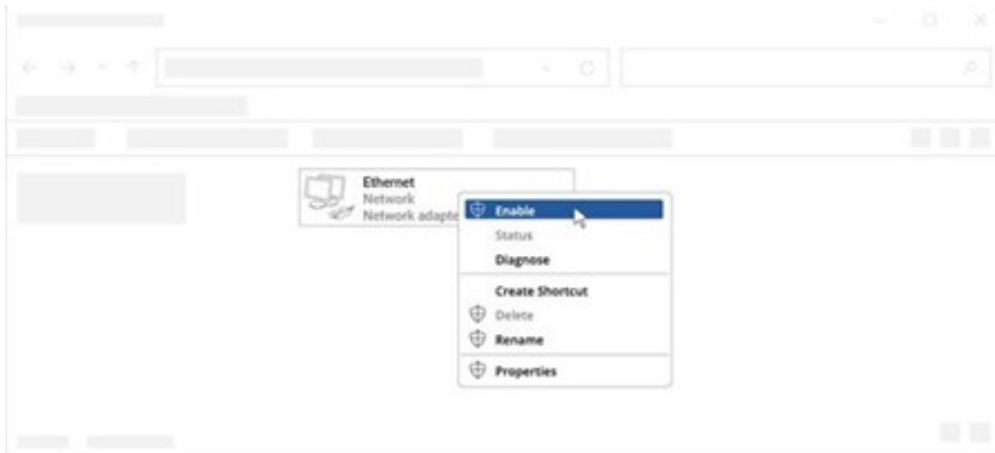




# RUT200

## Configure Your Computer LAN (Windows)

1. Ensure the Network connection is Enabled. Go to Start — Control Panel — Network and Internet — Network and Sharing Center. Click on the Change adapter settings in the left panel, then right-click on Network Adapter, and select Enable.



2. Check if IP and DNS are obtained automatically. Right-click on Wireless Network Adapter and select Properties. Then select Internet Protocol Version 4 and click Properties.

3. If not selected, check to obtain an IP address and obtain DNS server address automatically. Click OK.

Internet Protocol Version 4 (TCP/IPv4) Properties

General Alternate Configuration

Obtain an IP address automatically

Obtain an IP address from the following Internet Protocol (IPv4) addresses:


Obtain DNS server address automatically

Obtain DNS server addresses from the following DNS servers:

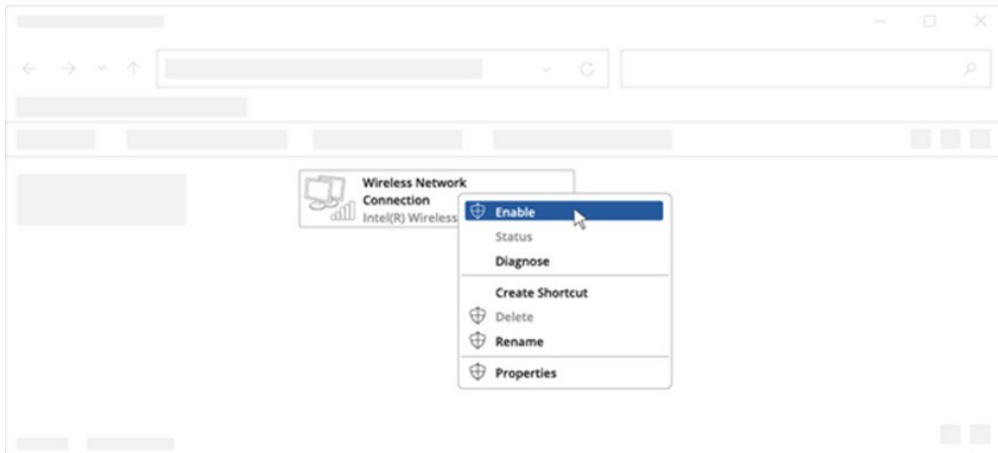

Advanced...

OK Cancel

# RUT200

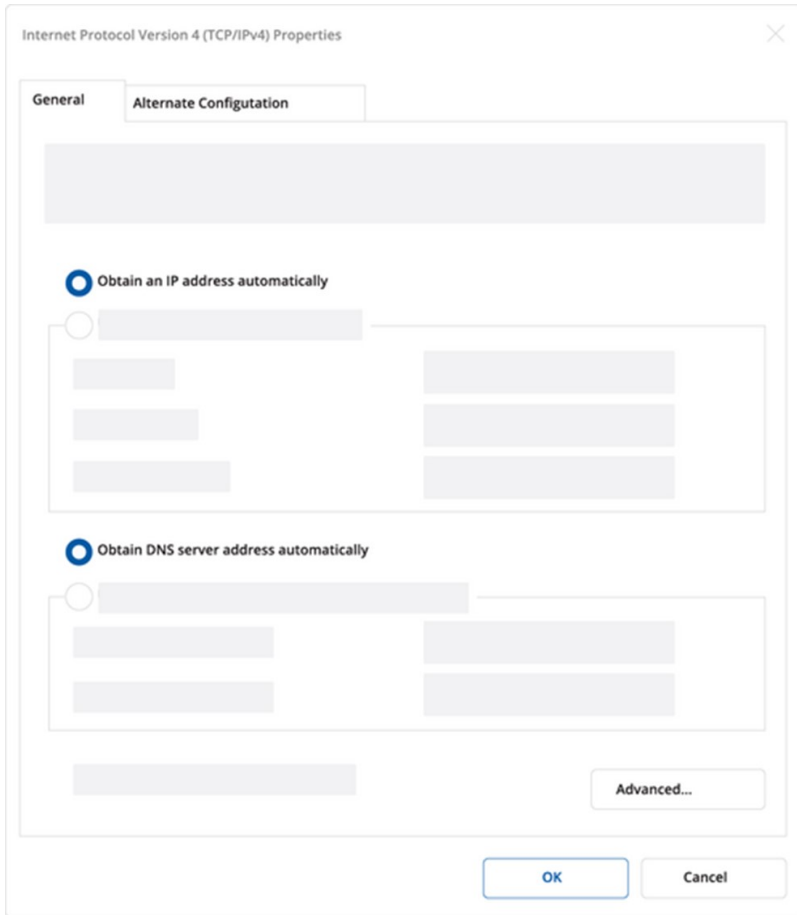
## Configure your computer Wi-Fi (Windows)

1. Ensure the Wireless network connection is Enabled. Go to Start — Control Panel — Network and Internet — Network and Sharing Center. Click on the Change adapter settings in the left panel, then right-click on Wireless Network Adapter, and select Enable.

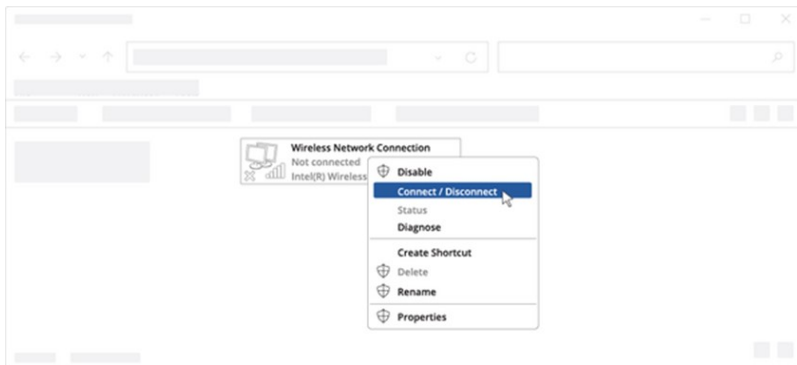


2. Check if IP and DNS are obtained automatically. Right-click on Wireless Network Adapter and select Properties. Then select Internet Protocol Version 4 and click Properties.

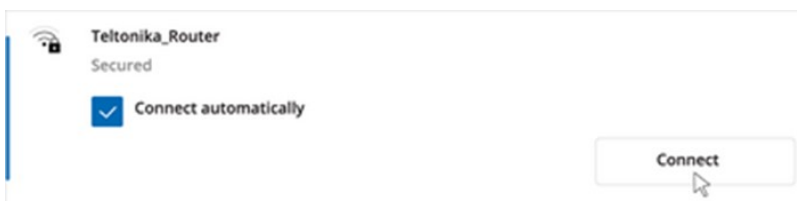
3. If not selected, check to obtain an IP address and obtain DNS server address automatically. Click OK.



4. Connect to a wireless network by right-clicking on Wireless Network Adapter and selecting Connect.



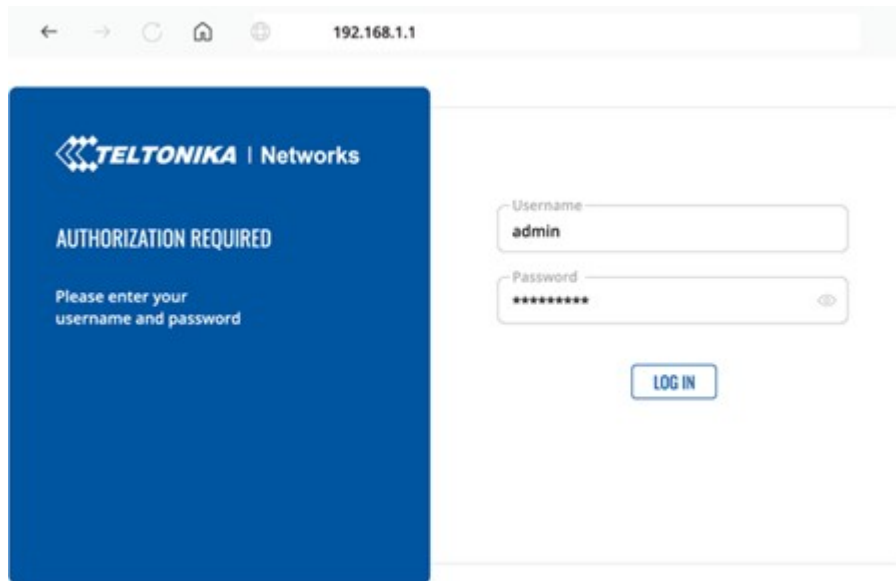
5. Choose the wireless network RUT200 \*\*\*\* from the list and click Connect. Enter the Wi-Fi password located on the device's label.




# RUT200

## Login to Device

1. To enter the router's Web interface (WebUI), type `http://192.168.1.1` into the URL field of your Internet browser.
2. When prompted for authentication enter the username `admin` and enter the password located on the device information label/engraving.



3. After logging in, you must set a new password for security reasons. You will not be able to interact with the router's WebUI until the default password is changed. The new password must consist of a minimum of 8 characters. Requirements: one uppercase letter, one lowercase letter, and one digit.
4. Next, the Configuration Wizard will start to help you set up some of the router's main operational parameters.
5. Finally, let's verify the Mobile signal strength. Go to the Status — Network page and pay attention to the Signal Strength indication.

**MODEM** ⓘ  -44 dBm

---

**DATA CONNECTION**  
Connected

---

**STATE**  
registered (home): LTE; 4G+ (LTE-A)

---

**SIM CARD INFO**  
SIM 1 Ready

---

**BYTES RECEIVED / SENT**  
42.6 MB / 2.5 MB

To achieve the best signal conditions and maximize cellular performance, try adjusting the antennas or changing the location of your device.