



# DUALCOM PRO - 4G AERIAL UPGRADE KIT

# DualCom Pro - 4G Aerial Upgrade Kit

## Instructions

Please follow the instructions below if you wish to upgrade any existing aerial cables to a Single 4G High Gain Aerial Ext/Int for the DualCom Pro Range. The kit is available to purchase via the Shop section of CSL Live. The product code is CS.1.150.

## Steps:

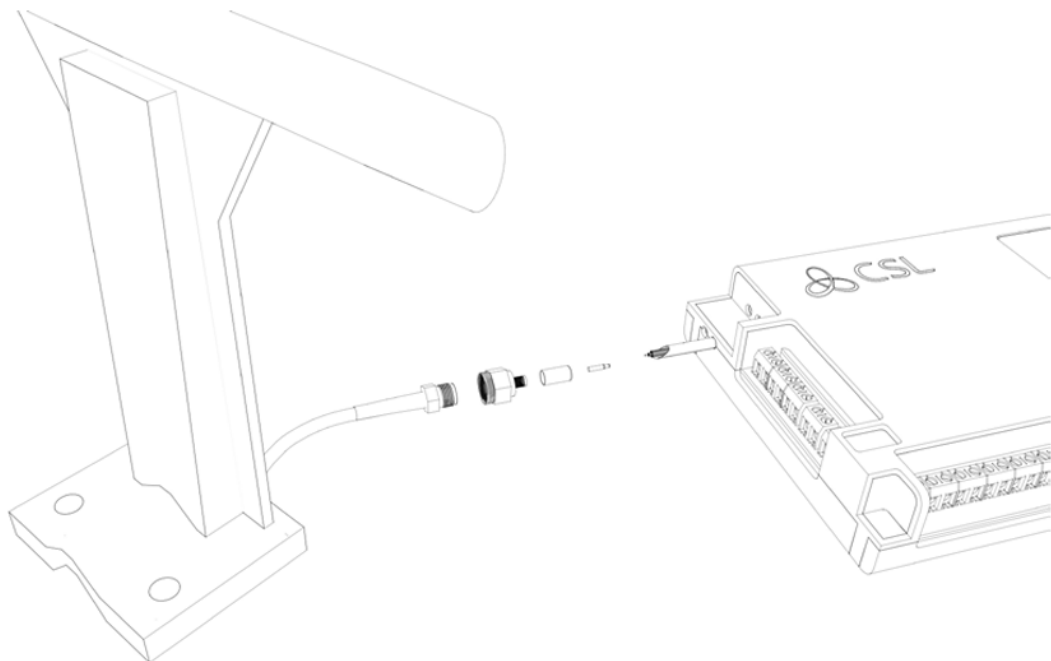
1. Cut the wire of the existing 2/3G aerial
2. Fit the pin to the SMA male connector
3. Connect the SMA male connector (with the pin fitted) to the existing cable
4. Crimp the SMA male connector to the existing cable
5. Screw the SMA connectors together
6. Fit the new 4G aerial to the wall

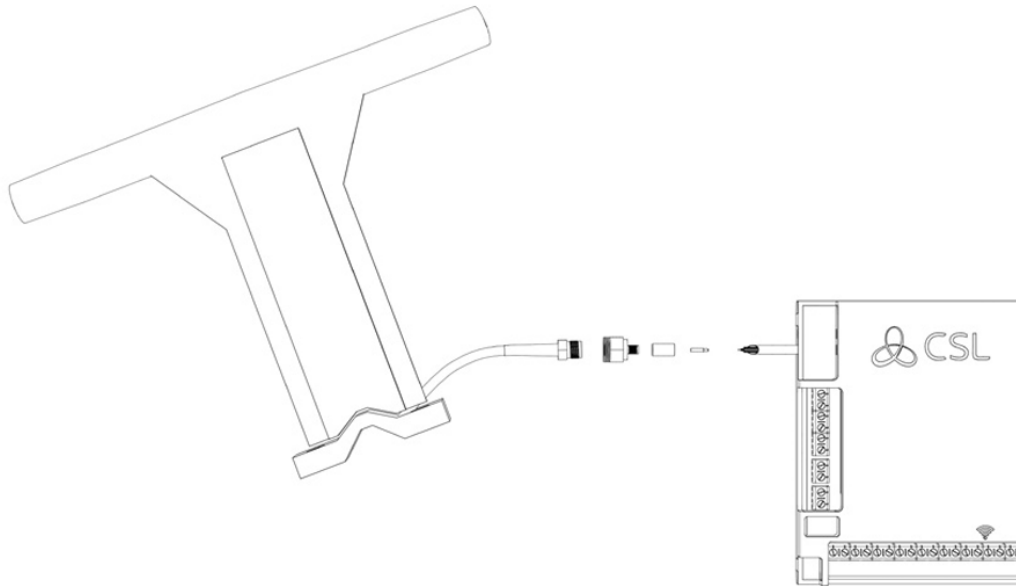
## What is included in this kit?

- Separate SMA connector
- Pin
- Metal sleeve

Note - a crimping tool is not included but is recommended to use to join the cable and aerial together

**Figure 1**





## Support

For more information on the DualCom Pro Range and other CSL products please visit the Installer Zone of our website: <https://www.csl-group.com/uk/installer-zone/>