



CSL ROUTER

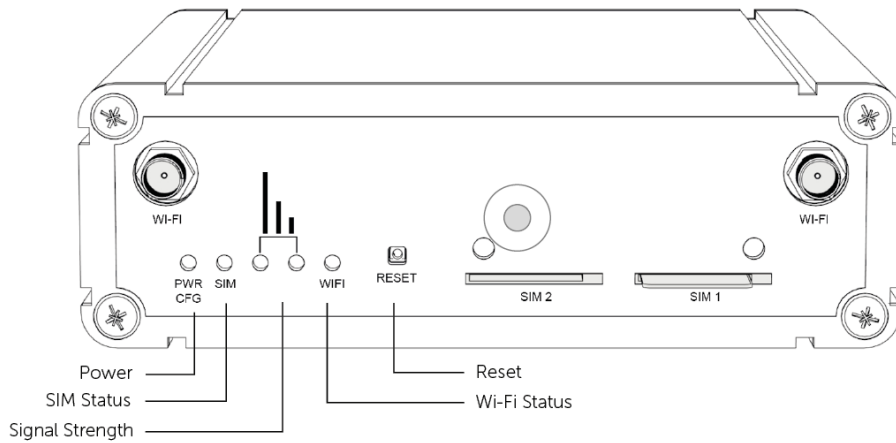
TECHNICAL SPECIFICATIONS

CSL Router

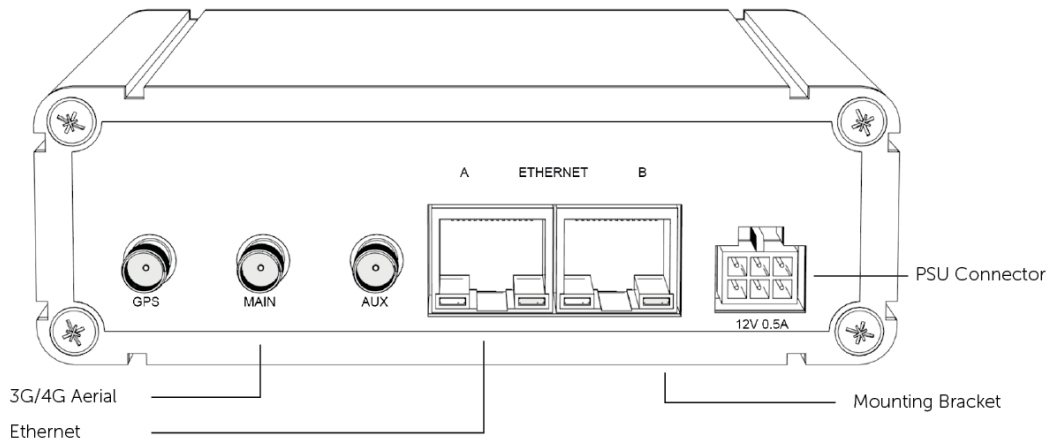
Technical Specifications

Figure 1 - CSL Router

FRONT



BACK



Dimensions	120 (w) x 120 (d) x 45mm (h)
Radio Technology	4G/3G/Wi-Fi*
Radio Frequency	3G (900/2100Mhz) & 4G (800/900/1800/2100/2300/2600Mhz)
Aerial Connections	1 LTE SMA male (included)

Monitoring Options	ARC and self-monitoring
Bundles	From 1GB - 500GB and beyond
Wi-Fi	2.4Ghz/802.11bgn*
Ethernet Speed	10/100Mbps
Warranty	12 months
Approvals	EN60950 / ENS55022 / EN55024 / EN300328V1.9.1 / BSI IoT Kitemark**
Operating Temperature	-40°C to 70°C
Power	9-36V

*must purchase Wi-Fi Aerial Pack separately (CM02011).

**BSI Kitemark requires specific variant. Contact us for more information

	Dual 4G World SIM	Single 4G Fixed Network SIM	Back-up 4G Fixed Network SIM
SIMs	2	1	1
Roaming	Yes	No	No
Ethernet Ports	1	2	2